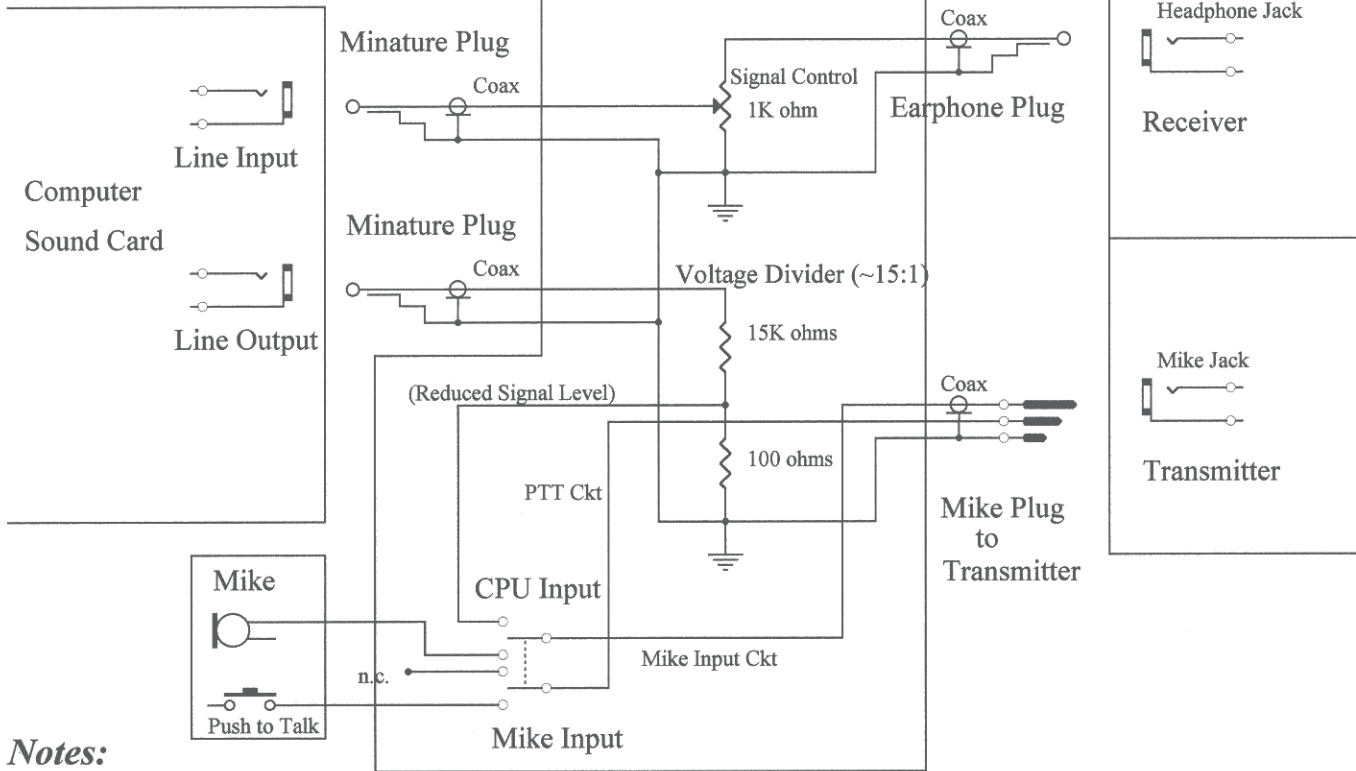


Metal Box Enclosure



Notes:

1. The PTT Ckt is disabled during digital modes, and the Mike Input Circuit is routed accordingly.
2. Shielded Cable should be used, with the shield grounded to the box that contains the circuit.

Title: Digital Mode Interface		Revision # 0	
Size "A"	Solutions for Education		
Date: 08/08/2001	Sheet 1 of 1	Sheet(s)	
File: C:\CLIENT 3DigMode.sch	Drawn by: <i>S/E-DCS, ddf</i>		