

Figure # 1

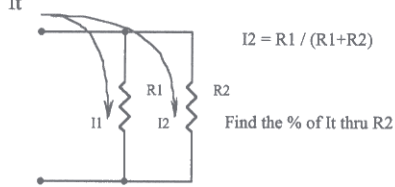
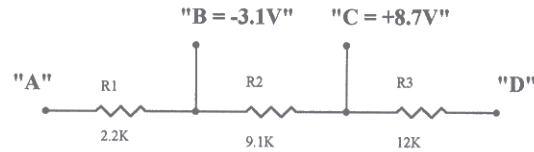
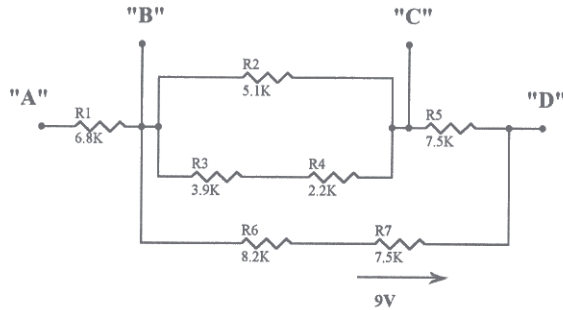


Figure # 2



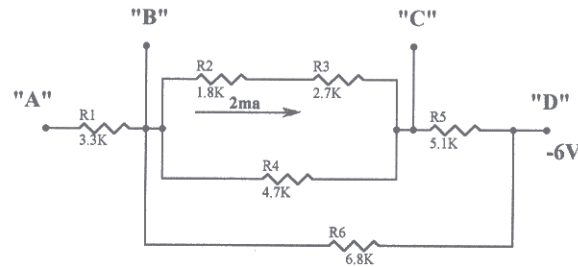
Find direction and amount of "It", all potentials, IR Drops

Figure # 3



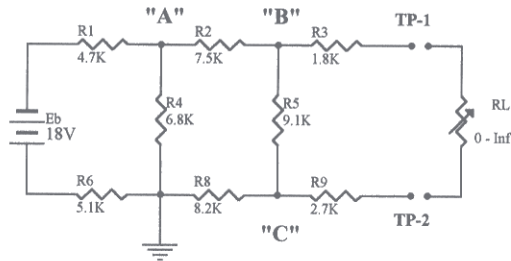
Find all currents (and direction), IR drops, and potentials.

Figure # 4



Find all currents (and direction), IR drops, and potentials.

Figure # 5



Find Eoc @ TP-1 & TP-2

Find Zo @ TP-1 & TP-2

Find Isc @ TP-1 & TP-2

Find all currents (and direction), IR drops, and potentials, based on Eoc & Isc.

Title: DC Quiz #1

Size "A" Solutions for Education Revision # 0

Date: 07/25/2001 Sheet 1 of 1 Sheet(s)
File: C:\CLIENT 3\DCQuiz1.sch Drawn by STE-DCS, ddf