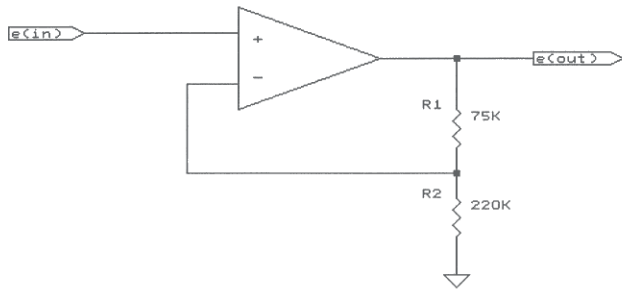
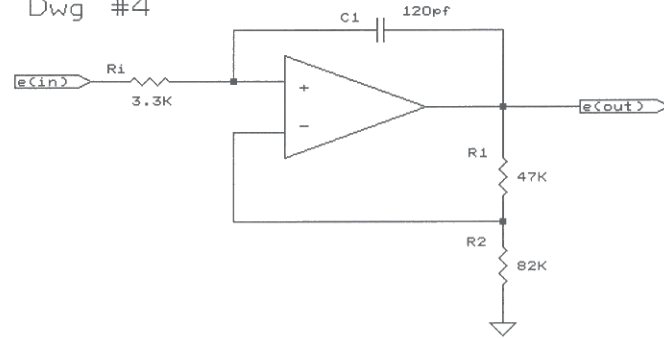


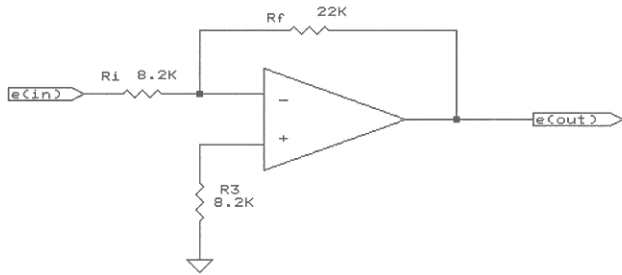
Dwg #1



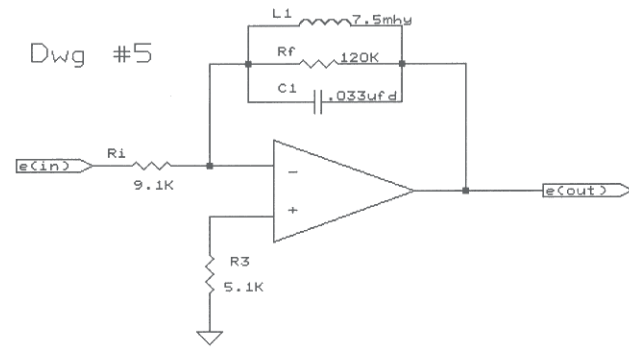
Dwg #4



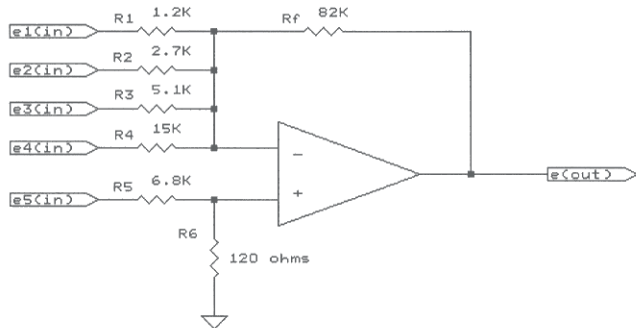
Dwg #2



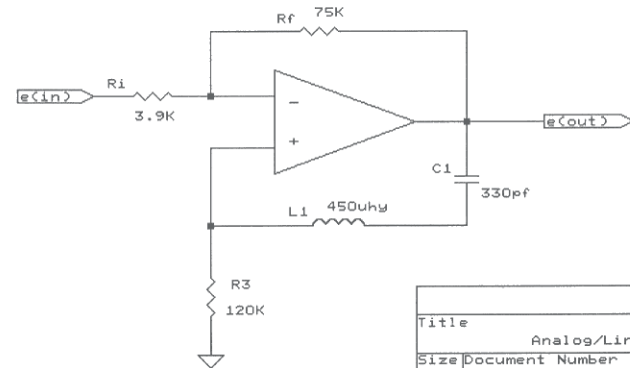
Dwg #5



Dwg #3



Dwg #6



- ddf		
Title		
Analog/Linear Circuits		
Size	Document Number	REV
B	Linear_1.tst	D
Date:	September 11, 1998	Sheet 2 of 3