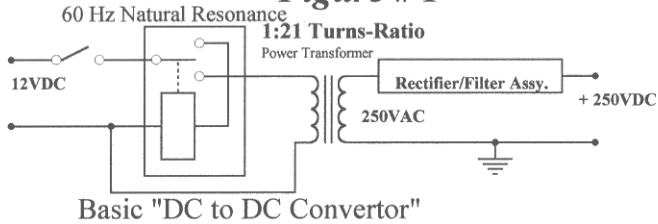
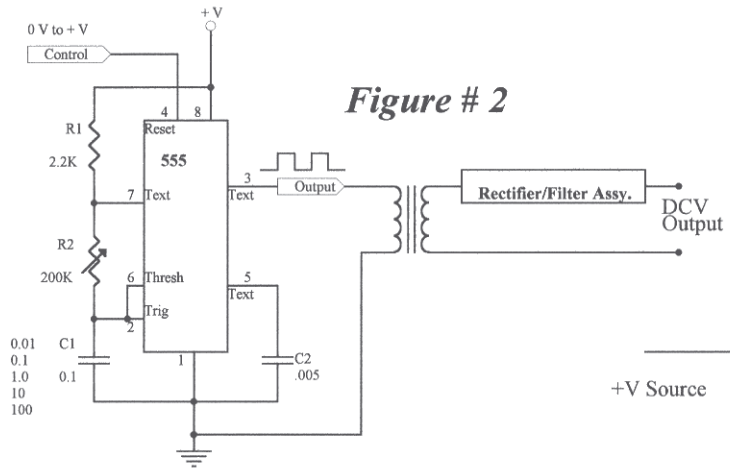


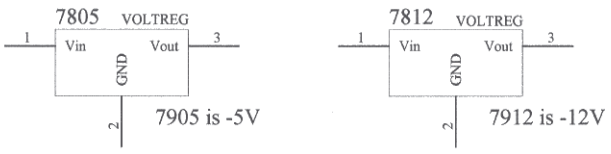
**Interrupter "Vibrator" Figure # 1**



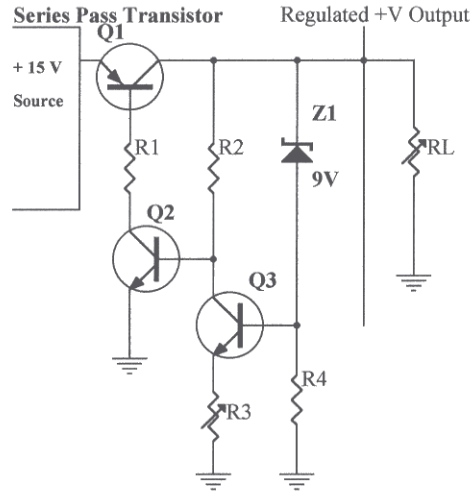
**Figure # 2**



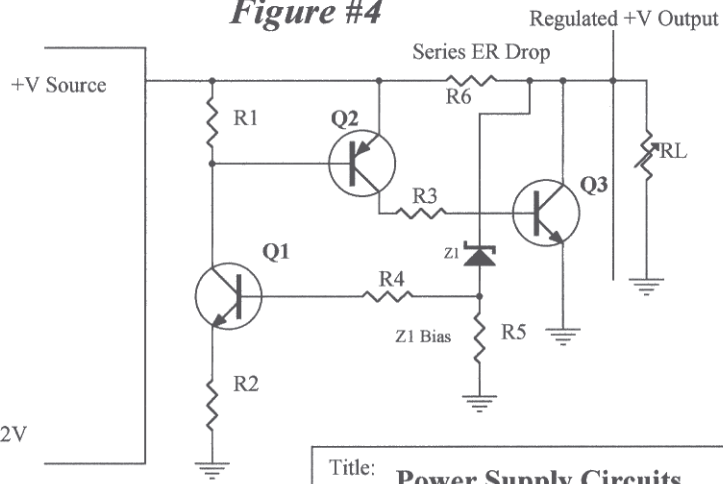
**3-Terminal Voltage Regulators**



**Figure # 3**



**Figure # 4**



Title: <b>Power Supply Circuits</b>		
Size "A"	<b>Solutions for Education</b>	Revision # 1
Date: 08/19/2001	Sheet 2 of 3	Sheet(s)
File: C:\CLIENT\3PwrCkts2.sch	Drawn by 3/E-DCS, ddf	