

Figure # 1

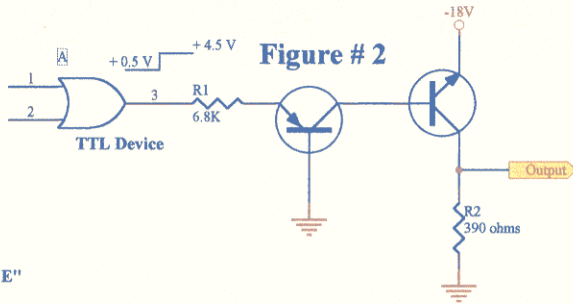


Figure # 2

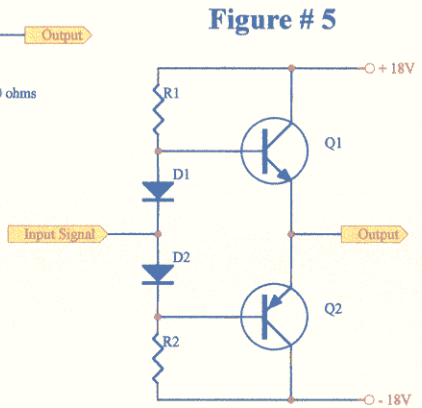


Figure # 5

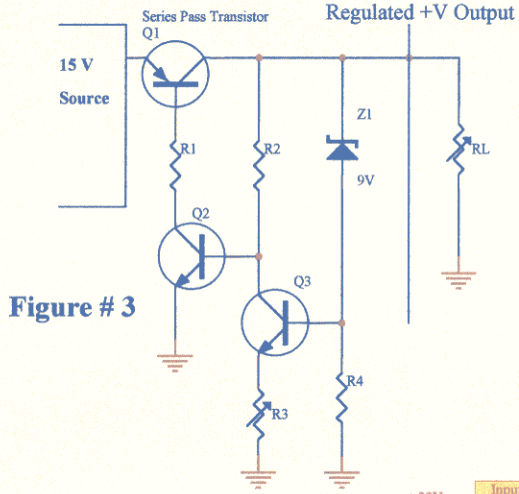


Figure # 3

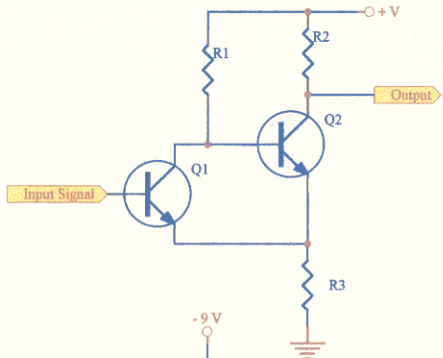


Figure # 4

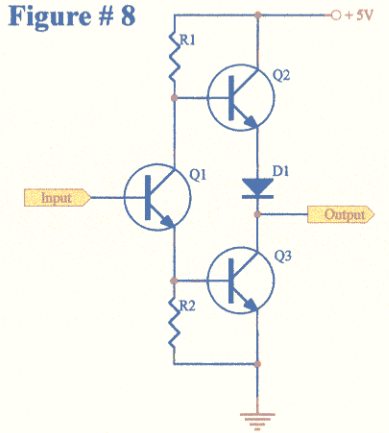


Figure # 8

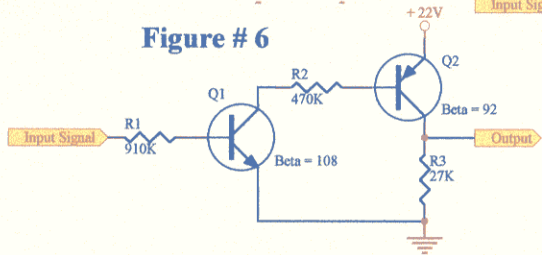


Figure # 6

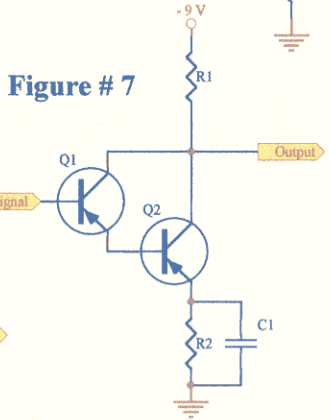


Figure # 7

Assume 0.5V across all conducting diodes, EB junctions, and saturated transistors

Title: Transistor Circuit Descriptions		
Size "A"	Solutions for Education	Revision # 1.0
Date: 07/25/2001	Sheet 1 of 1	Sheet(s)
File: C:\CLIENT 3\Transist.sch	Drawn by <i>SFE-DCS, adf</i>	