

Figure # 1

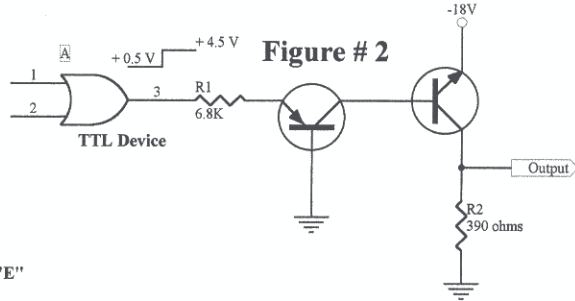


Figure # 2

Figure # 5

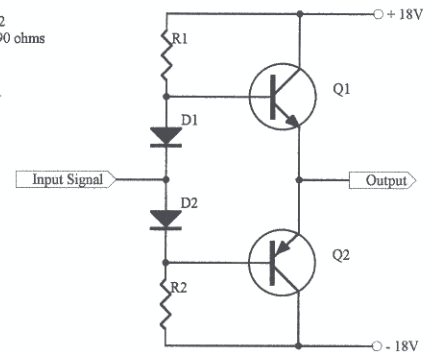


Figure # 4

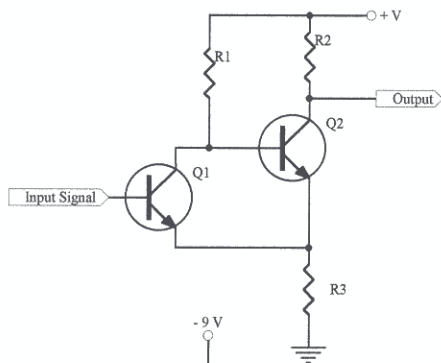


Figure # 8

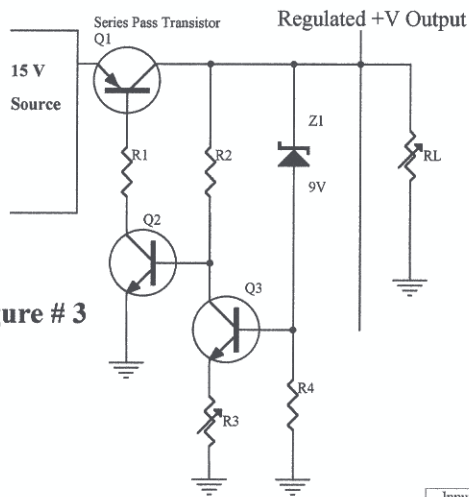
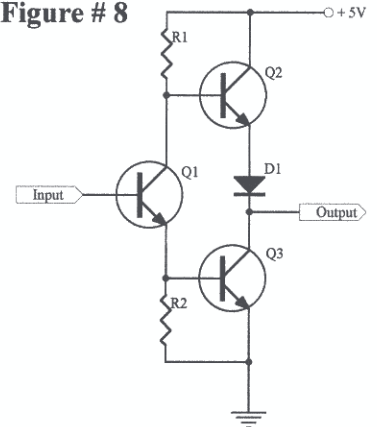


Figure # 3

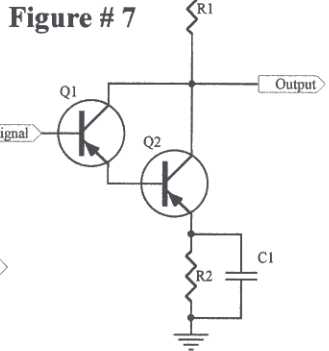


Figure # 7

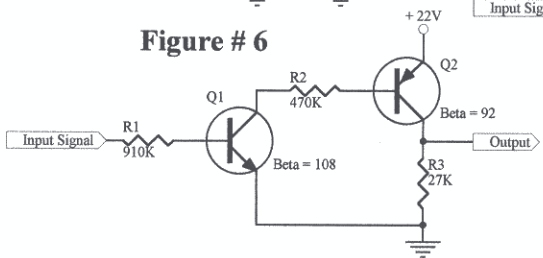


Figure # 6

Assume 0.5V across all conducting diodes, EB junctions, and saturated transistors

Title: Transistor Circuit Descriptions		
Size "A"	Solutions for Education	Revision # 1.0
Date: 07/25/2001	Sheet 1 of 1	Sheet(s)
File: C:\CLIENT 3T\transist.sch	Drawn by	SFE-DCS, adf