

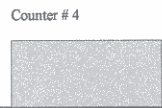
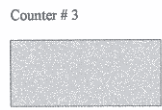
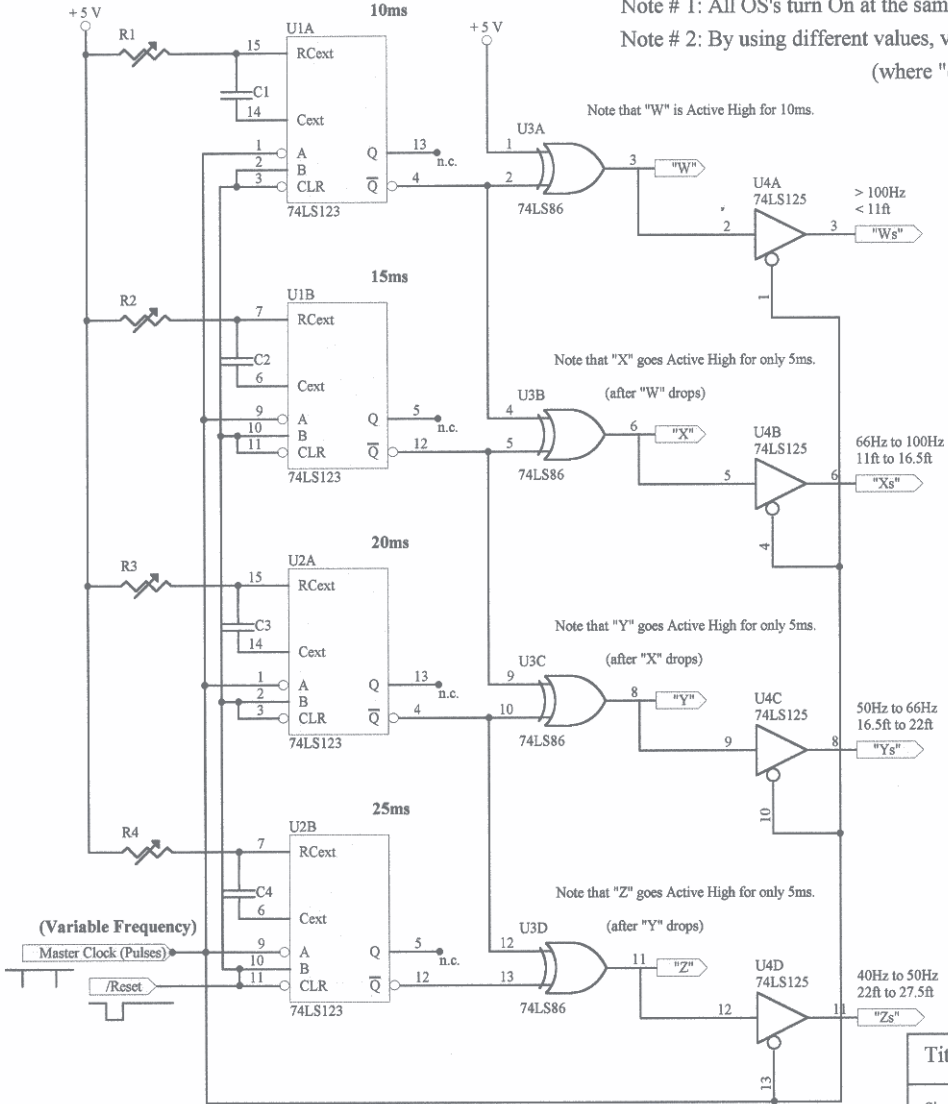
Note # 1: All OS's turn On at the same time, but time out like dominoes.
 Note # 2: By using different values, various speeds or distances can be determined.
 (where "distance" is based on the speed of sound)

Note that "W" is Active High for 10ms.

Note that "X" goes Active High for only 5ms.
 (after "W" drops)

Note that "Y" goes Active High for only 5ms.
 (after "X" drops)

Note that "Z" goes Active High for only 5ms.
 (after "Y" drops)



Title: "Falling Domino" Timer Circuit		
Size "A"	Solutions for Education	Revision # 1
Date: 08/04/2001	Sheet 1 of 1	Sheet(s)
File: C:\CLIENT 3\Domino.sch	Drawn by <i>S/E-DCS, ddf</i>	