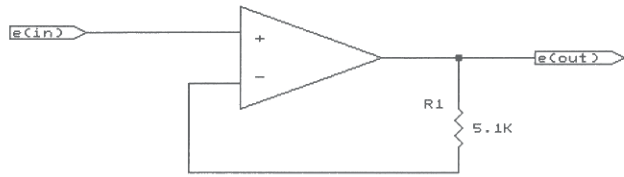
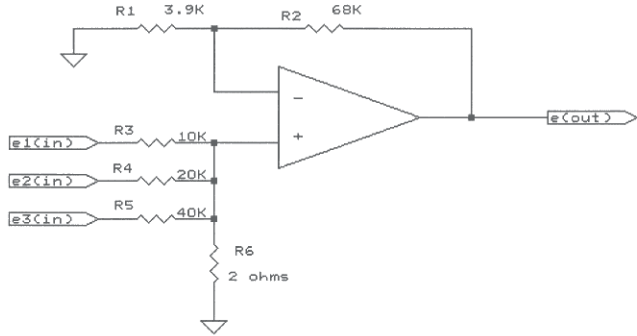


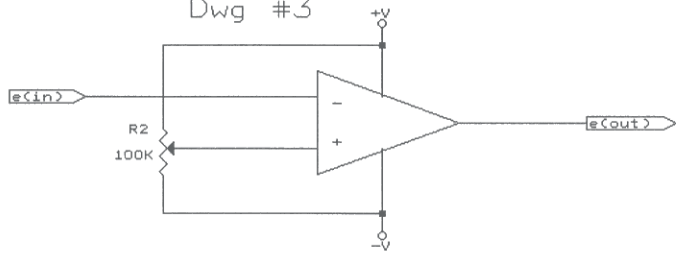
Dwg #1



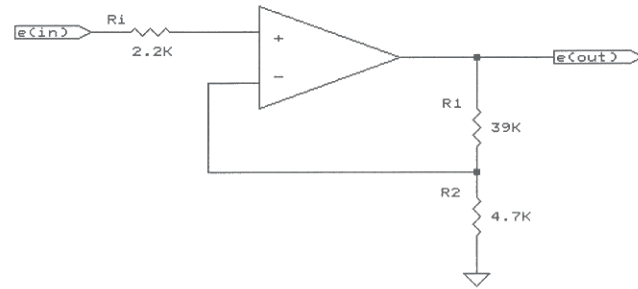
Dwg #2



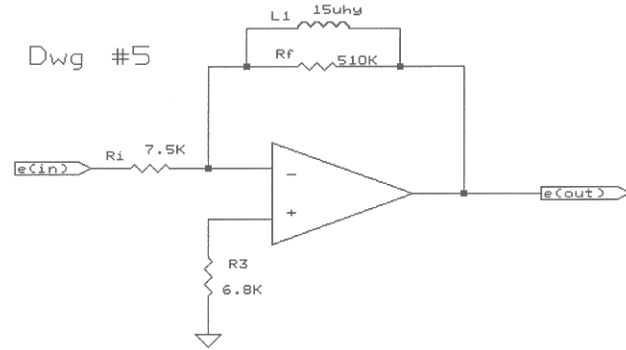
Dwg #3



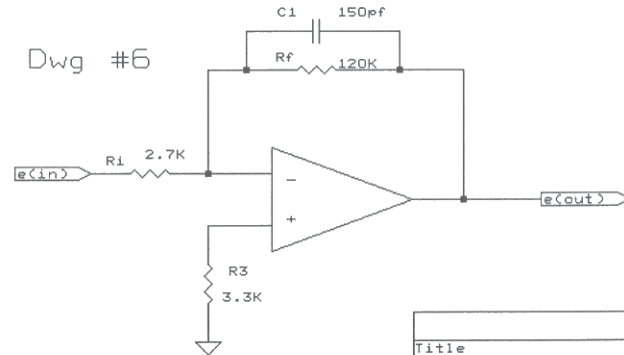
Dwg #4



Dwg #5



Dwg #6



- ddf		
Title	Analog/Linear Circuits	
Size	Document Number	REV
B	Linear_1.tst	0
Date:	September 11, 1998	Sheet 1 of 1