

Figure # 1

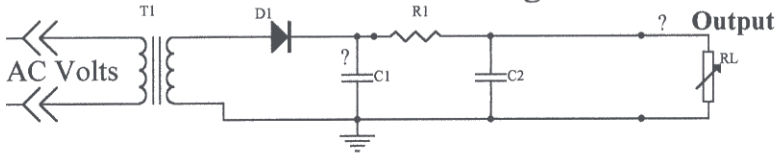


Figure # 2

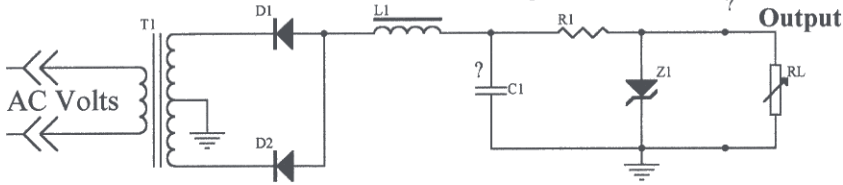


Figure # 3

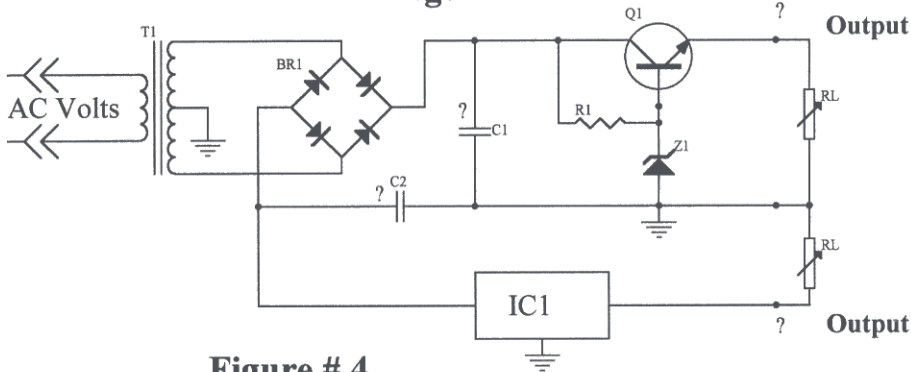


Figure # 4

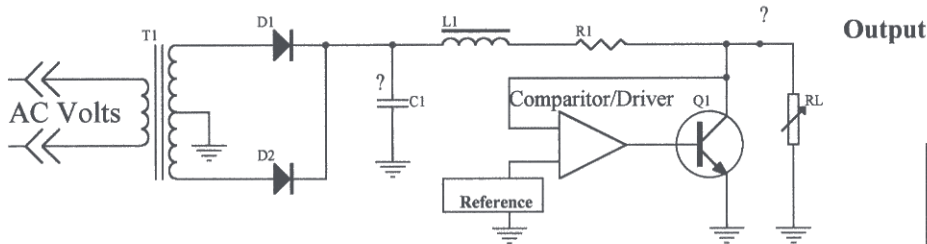
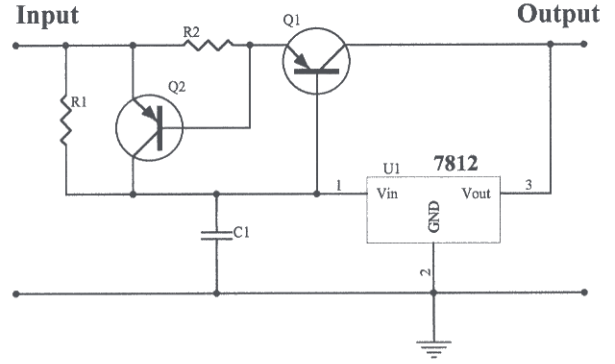


Figure # 5



Title: **Power Supply Circuits**

Size "A" **Solutions for Education**

Revision # 1

Date: 08/04/2001

Sheet 1 of 1 Sheet(s)

File: C:\CLIENT 3PS Test1.sch

Drawn by *S/E-DCS, adf*